

YS-Series

The semi automatic caser serves as both carton forming and carton sealing so that it is unnecessary to form a carton separately. Compact design to save space. Suitable to various carton sizes.

YS-001

Compact type semi auto caser



Multifunctionality

Space saving is made possible by integrating carton forming and carton sealing. Also it is unnecessary to form a carton separately. Reliability of taping unit is proven by a number of our achievement.

Easy size change

It is easy to change size with handles located on 3 positions.

High safety

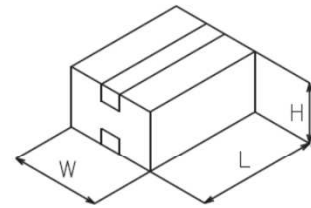
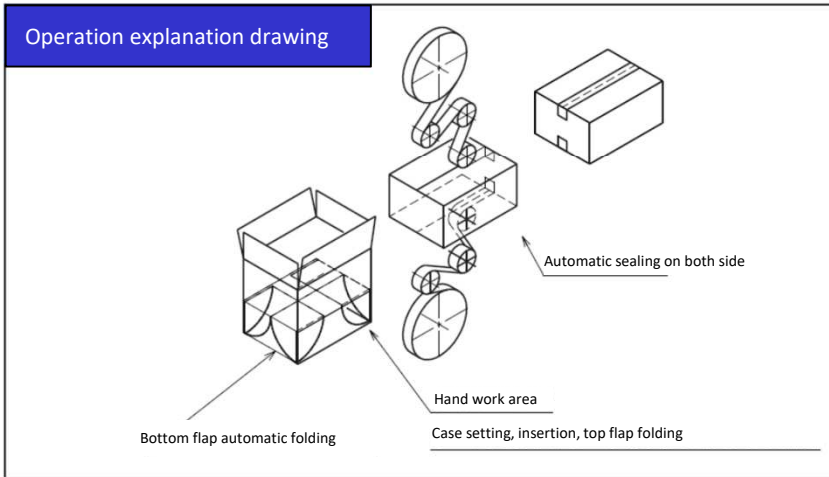
Designed for safety of work

Various options

Various options are available such as special carton size etc.

YS-001

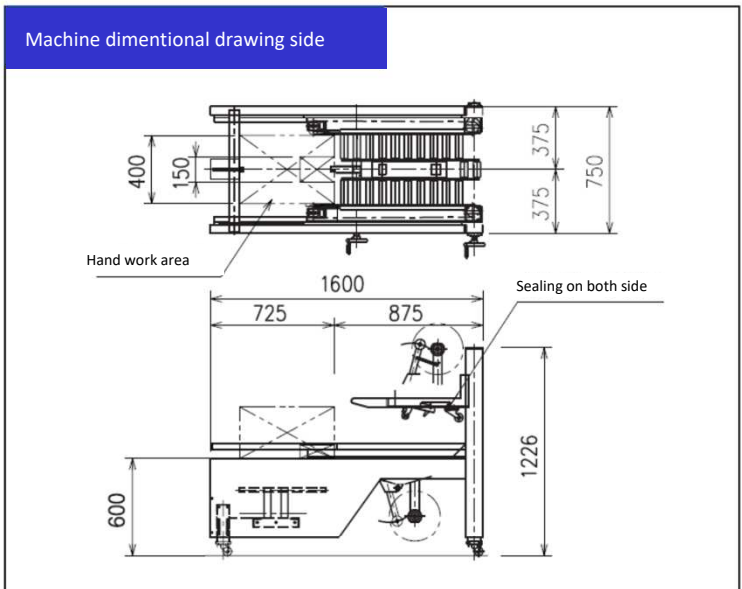
Simple and high performance enhance productivity of production line.



YS-001			
	L	W	H
min	200	150	100
max	550	400	300

Specification	
Model	YS-001
Capacity	12cpm(MAX)
Electric Power	3 Phase 200V 500W
Compressed Air	0.49MPa 200Nℓ/min
Carton Type	Carton A type A/F, B/F
Carton forming part on bottom side	Air cylinder drive
Carton transport part	Side belt conveyor
Sealing method	Taping unit Kraft or OPP tape
Size change	Steering wheel adjustment and slide adjustment (with digital indicator)
Machine Size	L=2680mm W=1200mm H=1570mm
Pass Line	600 mm
Machine Weight	Approx. 500kg

Options	
<input type="checkbox"/>	Alarm for tape remaining
<input type="checkbox"/>	Special carton size
<input type="checkbox"/>	Various stamping devices
<input type="checkbox"/>	size changer powered by electric
<input type="checkbox"/>	Production counter
<input type="checkbox"/>	requested painting color
<input type="checkbox"/>	Others



1-19-7, Yokoe, Ibaraki-shi, Osaka, Japan 567-0865

TEL: +81-72-637-3420 FAX: +81-72-637-3464

E-mail: info@yeg.co.jp URL: http://www.yuhara-engineering.com

Business Item ● Cartoning Machine(Horizontal · Vertical) ● Packing Machine ● Carton caser ● Robot caser ● Wrap-around caser
● Case former · Case sealer ● Palletizer ● Auto feeder ● Cost-saving · factory automation facility